

Compact, Lightweight, Low Current Consumption
Ideal for Fire and Arson Surveillance

FEATURES

C10807 series was developed for UVTRON driving circuit as alternative to C3704, that is also used as signal processing circuits. By using a double-sided printed circuit board we cut the area size to half that of conventional drive circuits.

Since the high-voltage supply and signal processor are mounted on the same circuit board, the C10807 can be operated as a high-sensitivity UV sensor just by connecting a UVTRON and supplying a low DC voltage.

The signal processing circuit cancels out background discharges which may occur in the UVTRON due to natural excitation light (cosmic rays, solar UV rays, etc.). This minimizes erroneous detection so the C10807 output signal can be used without additional filtering.

Combining the C10807 with a high-sensitivity "UVTRON R9533, R2868" (sold separately) for use as a flame detector yields sensitivity capable of detecting the flame from a cigarette lighter (flame length 25 mm) even at distances up to 5 meters away.

APPLICATIONS

- Flame detectors for gas and oil lighters
- Fire alarms
- Arson watch monitor
- Combustion monitors for burners
- Electric spark detector

SPECIFICATIONS

Parameter	Description / Value	Unit	
Output Signal	Open Collector Output (50 V, 80 mA) 10 ms with pulse output ^(A)	—	
UVTRON Supply Voltage	350 ^(B)	V	
Quenching Time	Approx. 25	ms	
Suitable UVTRON	R9533, R2868 (sold separately)	—	
Operating Ambient Temperature ^(C)	-10 to +50	°C	
Input Voltage (DC)	C10807	12 to 24	V
	C10807-01	5 ± 0.25	
	C10807-02	6 to 9	
Current Consumption (Max.)	C10807	4	mA
	C10807-01	0.3	
	C10807-02	0.3	
Weight	Approx. 12	g	

NOTE: ^(A)The output pulse width can be extended up to about 10 s by adding a capacitor to the circuit board.

^(B)Since the output impedance of this power supply is extremely high, an ordinary voltmeter cannot be used. Use a voltmeter that has an input impedance of more than 10 GΩ.

^(C)No condensation

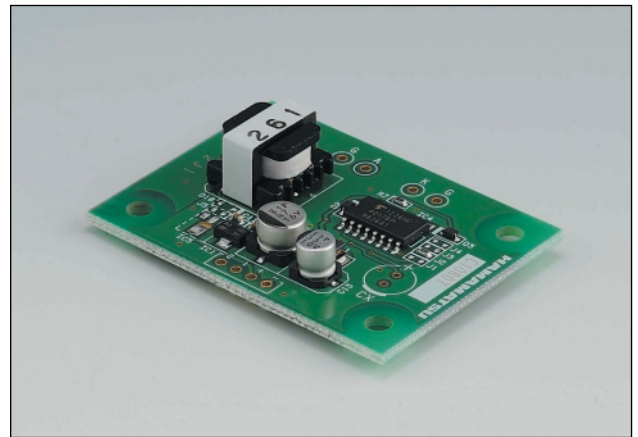
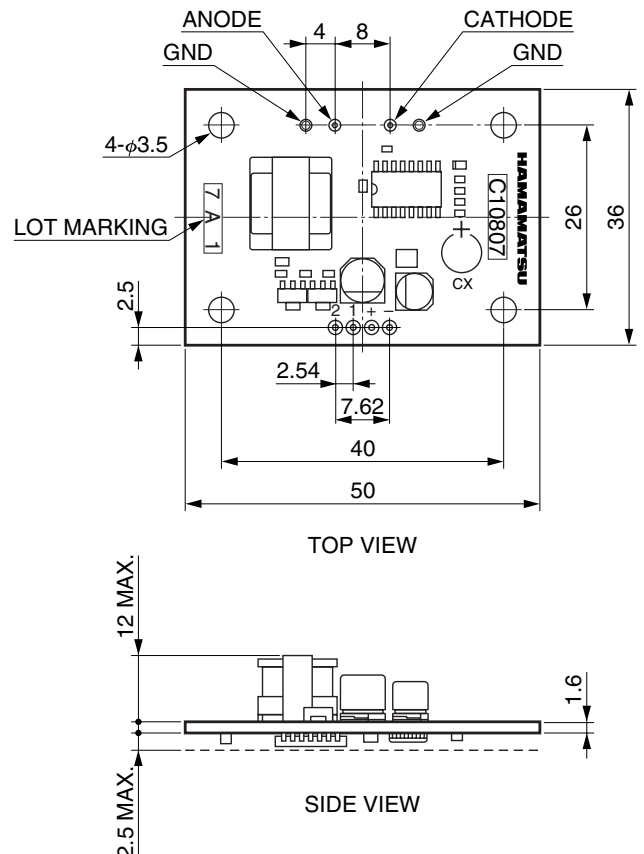


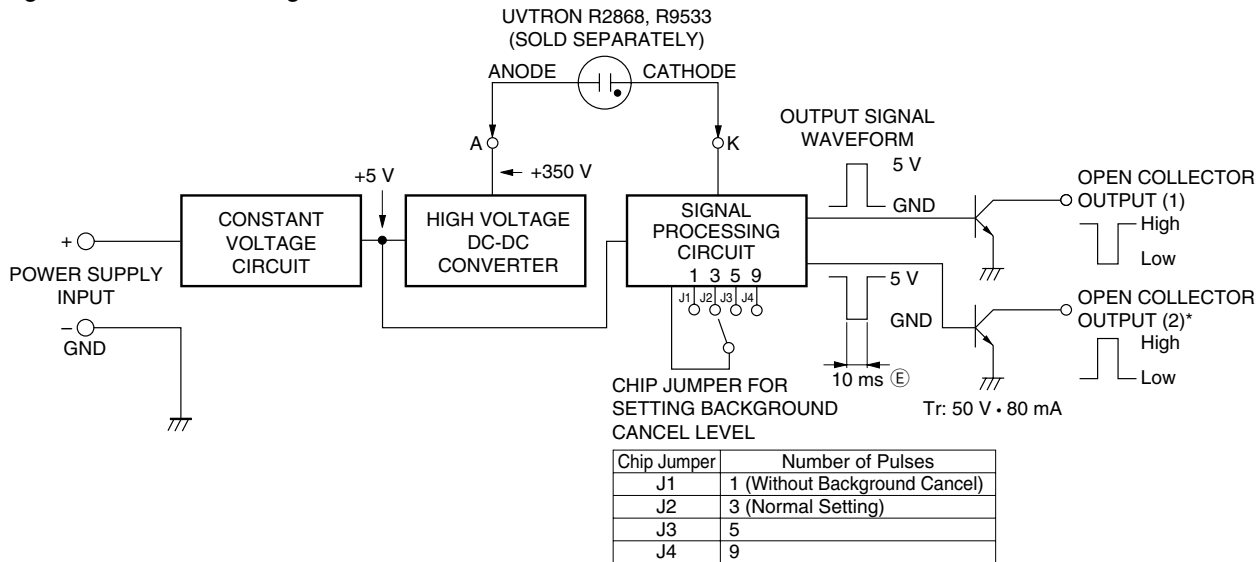
Figure 1: DIMENSIONAL OUTLINE (Unit: mm)



TPT A0044EB

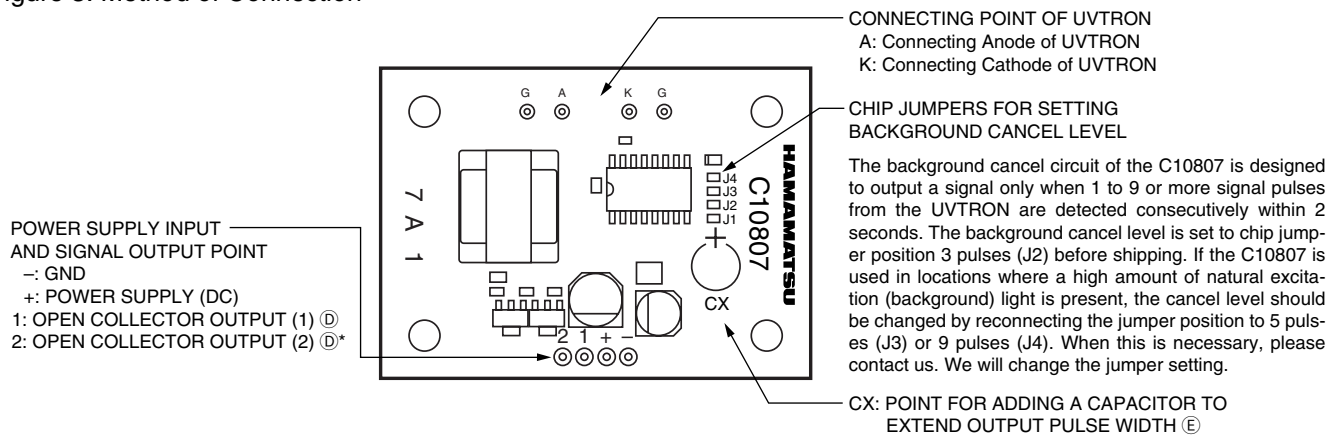
UVTRON[®] DRIVING CIRCUIT C10807 SERIES

Figure 2: Schematic Diagram



TPT C0021EA

Figure 3: Method of Connection



NOTE: (D) The recommended rating of the open-collector transistor is 50 V / 80 mA. The maximum rating of the open-collector transistor is 50 V / 100 mA. When the circuit is connected to a relay or buzzer, use caution not to exceed this rating.

(E) The C10807 output pulse width is set to 10 ms before shipment. To expand the pulse width, connect a capacitor to this terminal. (Make sure the polarity is correct when using an electrolytic capacitor.)

Example: CX = 1 μ F, Pulse width = Approx. 1 s

CX = 10 μ F, Pulse width = Approx. 10 s

* C10807-01/-02 does not read out "OPEN COLLECTOR OUTPUT (2)".

TPT C0022EB

PRECAUTIONS FOR USE

- Since the operation impedance is extremely high, the UVTRON should be connected as close as possible to the circuit board within 5 cm.
- Take care to avoid external noise since a C-MOS IC is used in the circuit. It is recommended that the whole PC board be put in the shield box when it is used.
- The DC-DC converter type high-voltage supply for this unit has a very high impedance. If the ambient humidity is high, then electrical leakage on the printed circuit board surface might lead to a drop in the supply voltage to the UVTRON. This voltage drop might cause lower sensitivity or malfunctions. If using the unit in a high humid environment apply a silicon-based moisture-proof coating to the UVTRON connection terminals.

HAMAMATSU PHOTONICS K.K. www.hamamatsu.com

HAMAMATSU PHOTONICS K.K., Electron Tube Division

314-5, Shimokanzo, Iwata City, Shizuoka Pref., 438-0193, Japan, Telephone: (81)539/62-5248, Fax: (81)539/62-2205

U.S.A.: Hamamatsu Corporation: 360 Foothill Road, P. O. Box 6910, Bridgewater, N.J. 08807-0910, U.S.A., Telephone: (1)908-231-0960, Fax: (1)908-231-1218 E-mail: usa@hamamatsu.com

Germany: Hamamatsu Photonics Deutschland GmbH: Arzbergerstr. 10, D-82211 Herrsching am Ammersee, Germany, Telephone: (49)8152-375-0, Fax: (49)8152-2658 E-mail: info@hamamatsu.de

France: Hamamatsu Photonics France S.A.R.L.: 19, Rue du Saule Trapu, Parc du Moulin de Massy, 91882 Massy Cedex, France, Telephone: (33)1 69 53 71 00, Fax: (33)1 69 53 71 10 E-mail: infos@hamamatsu.fr

United Kingdom: Hamamatsu Photonics UK Limited: 2 Howard Court, 10 Tewin Road Welwyn Garden City Hertfordshire AL7 1BW, United Kingdom, Telephone: 44-(0)1707-294888, Fax: 44(0)1707-325777 E-mail: info@hamamatsu.co.uk

North Europe: Hamamatsu Photonics Norden AB: Thorshamnsgatan 35 SE-164 40 Kista, Sweden, Telephone: (46)8-509-031-00, Fax: (46)8-509-031-01 E-mail: info@hamamatsu.se

Italy: Hamamatsu Photonics Italia: S.R.L.: Strada della Moia, 1/E, 20020 Arese, (Milano), Italy, Telephone: (39)02-935 81 733, Fax: (39)02-935 81 741 E-mail: info@hamamatsu.it

China: Hamamatsu Photonics (China) Co., Ltd.: 1201 Tower B, Jiaming Center, 27 Dongsanhuan Road North, Chaoyang District, Beijing 100020, China, Telephone: (86)10-6586-6006, Fax: (86)10-6586-2866 E-mail: hpc@hamamatsu.com.cn

TPT 1025E03
FEB. 2013 IP